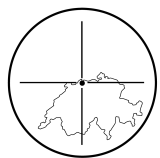
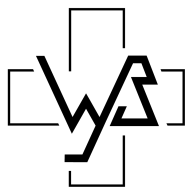


# ECMA



**SCHILD  
WAFFEN**

**4323 Wallbach**



**WYSS  
WAFFEN** BURG DORF



## **Stage Descriptions**

**6. Oktober 2024  
Bülach, Schweiz**

# Stage 1

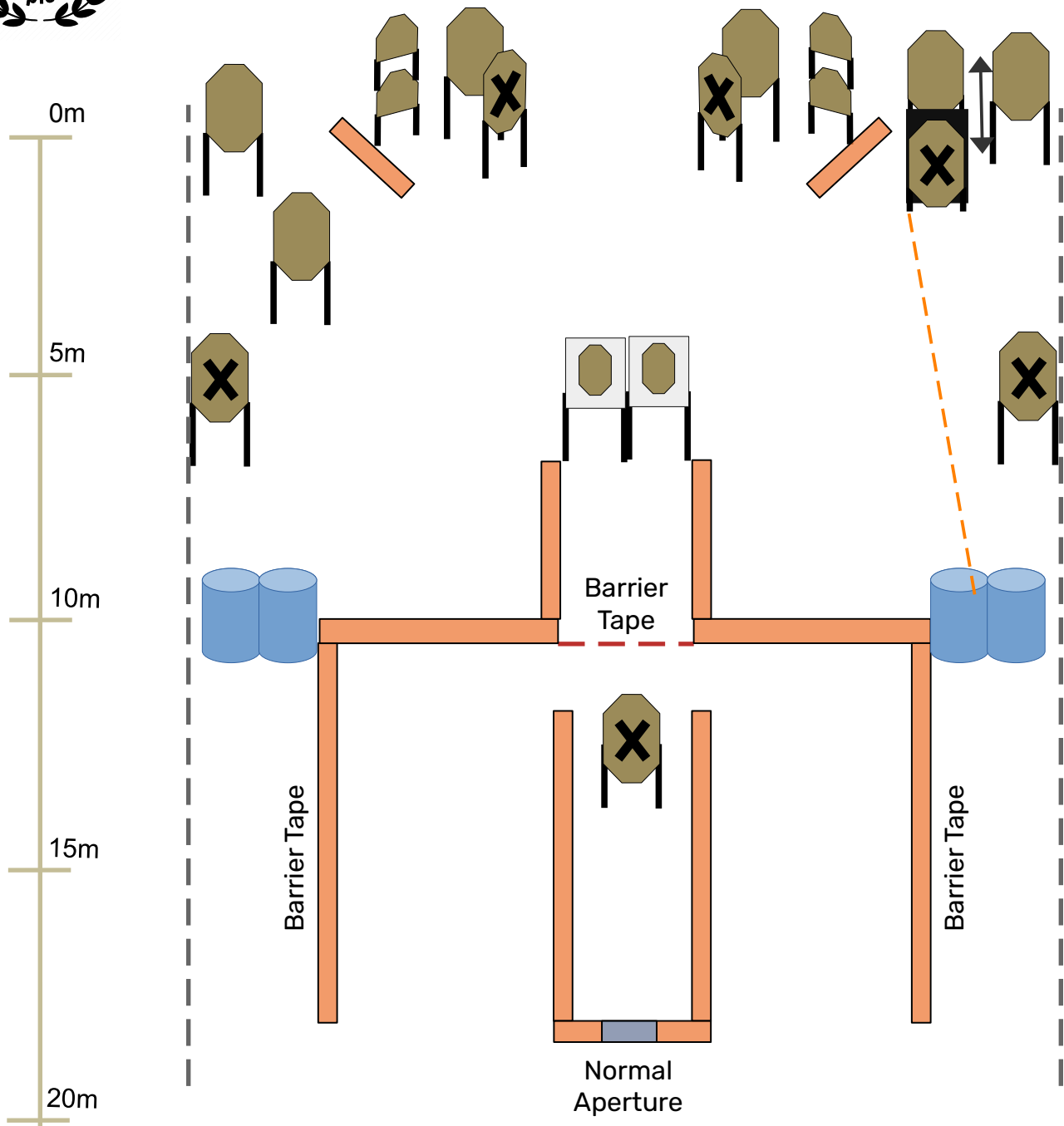


Swiss Championship  
October 6, 2024

<b>Title</b>	Hit Or Run!	<b>Author</b>	Raphi
<b>Type</b>	Open	<b>Strings</b>	1
<b>Targets</b>	10 Paper, 2 50% Paper, 6 Non-Shoot		
<b>Rounds</b>	Min 24	<b>Scoring</b>	Unlimited, Best 2
<b>Start Pos</b>	Standing anywhere.		
<b>Start Cond</b>	Handgun fully loaded, holstered.		
<b>Procedure</b>	Engage all targets. String activates up-down.		



Bay 1



# Stage 2

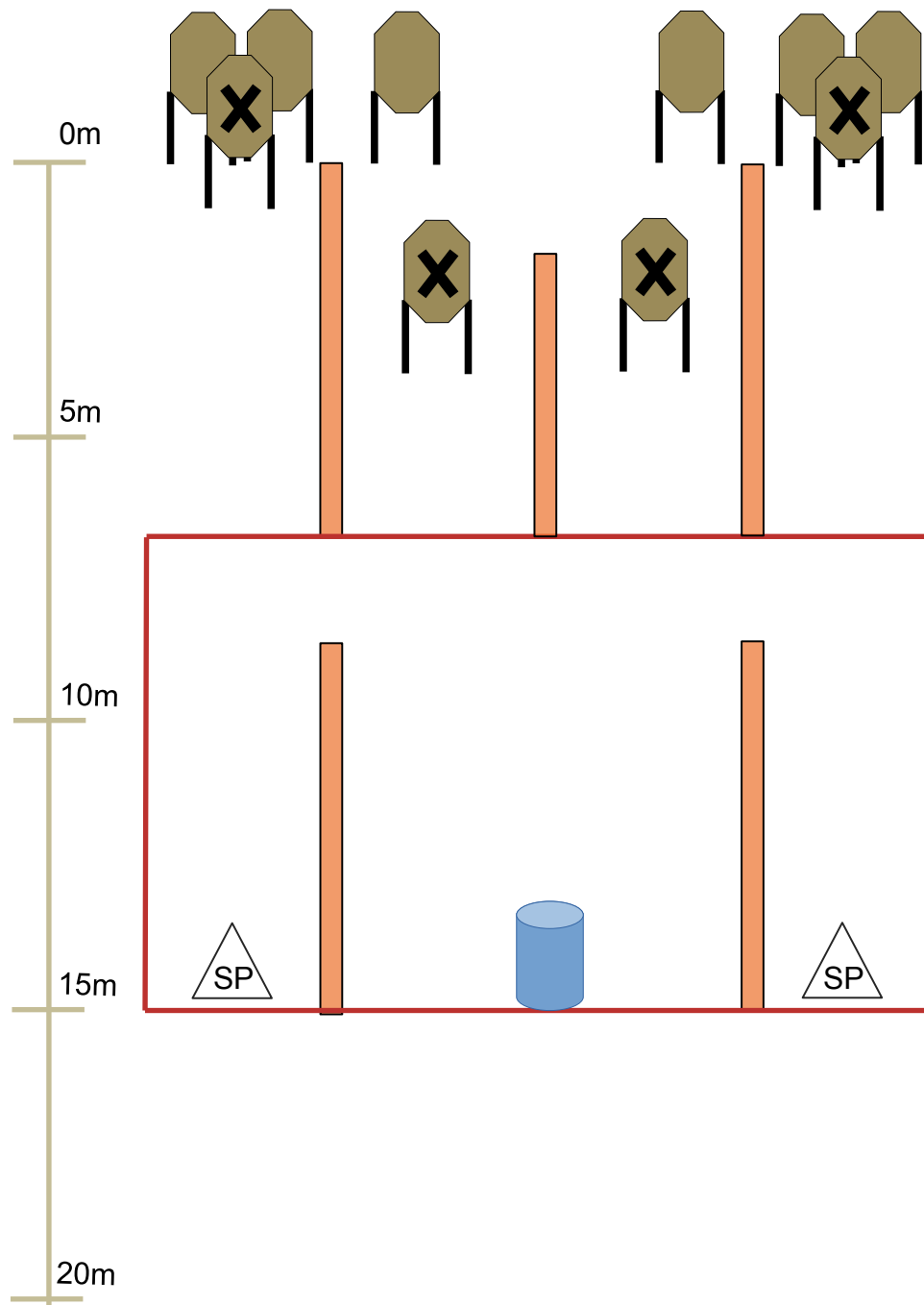


Swiss Championship  
October 6, 2024

<b>Title</b>	<b>Can You Hit... While Moving?</b>	<b>Author</b>	Raphi
<b>Type</b>	Single Zone	<b>Strings</b>	1
<b>Targets</b>	6 Paper, 4 Non-Shoot		
<b>Rounds</b>	Min 18	<b>Scoring</b>	Unlimited, Best 3
<b>Start Pos</b>	Standing at either SP.		
<b>Start Cond</b>	Handgun loaded with exactly 9 rounds. All spare mags on barrel.		
<b>Procedure</b>	Engage all targets while moving and remaining in the zone.		



**Bay 2/Left**



# Stage 3

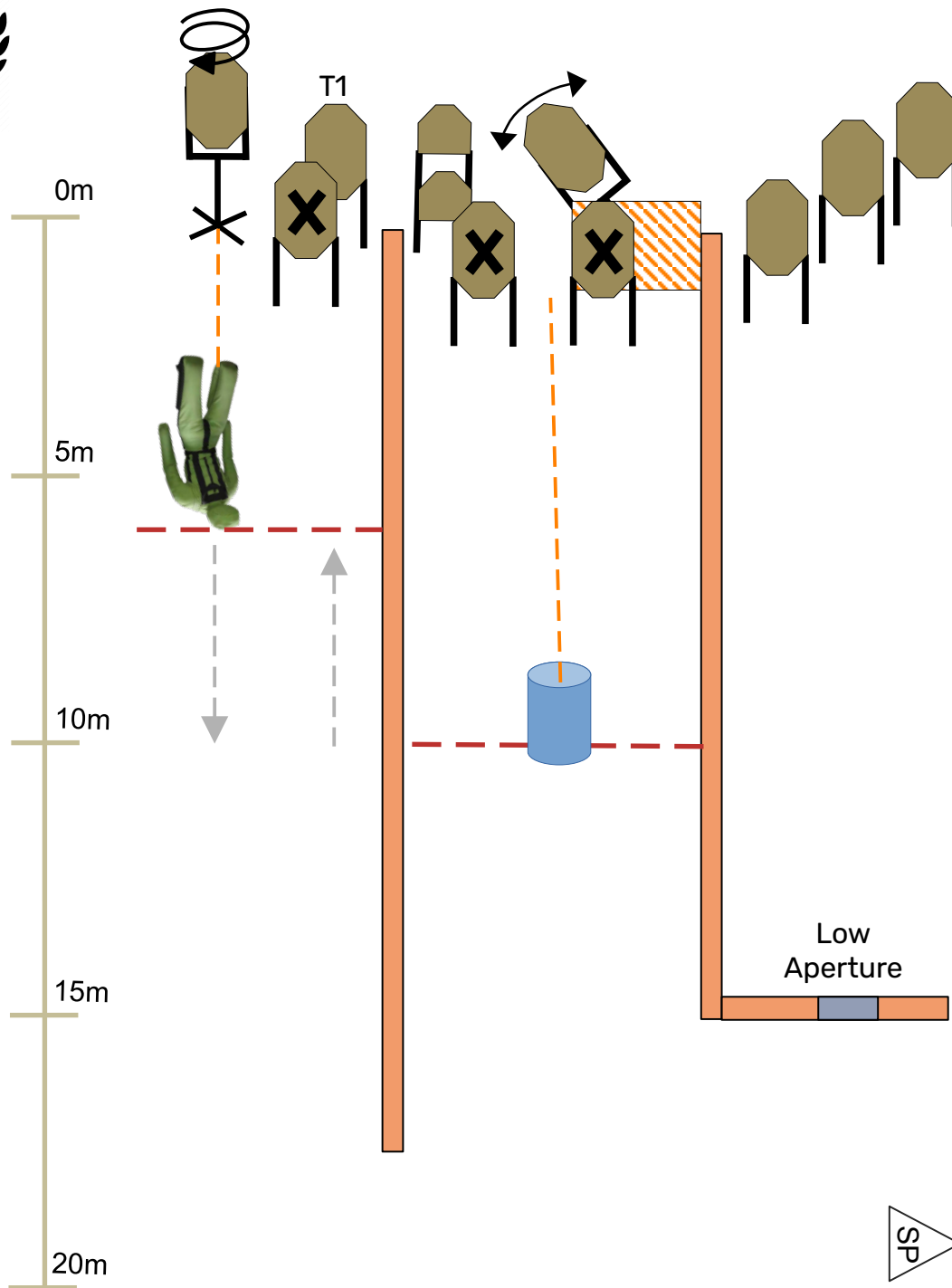


Swiss Championship  
October 6, 2024

<b>Title</b>	<b>Our Old Friend is Back... In Trouble!</b>	<b>Author</b>	Andy
<b>Type</b>	Open	<b>Strings</b>	1
<b>Targets</b>	8 Paper, 3 Non-Shoot		
<b>Rounds</b>	Min 20	<b>Scoring</b>	Unlimited, T1 Best 6, Rest Best 2
<b>Start Pos</b>	Standing at SP, hands and feet touching.		
<b>Start Cond</b>	Handgun loaded with exactly 8 rounds, holstered.		
<b>Procedure</b>	Engage T1 with 6 rounds while moving forward. Then drag the dummy backwards to activate turner. Continue to engage the rest of the targets.		
<b>Safety</b>	Forward fault lines for some targets.		



Bay 2/Right



# Stage 4

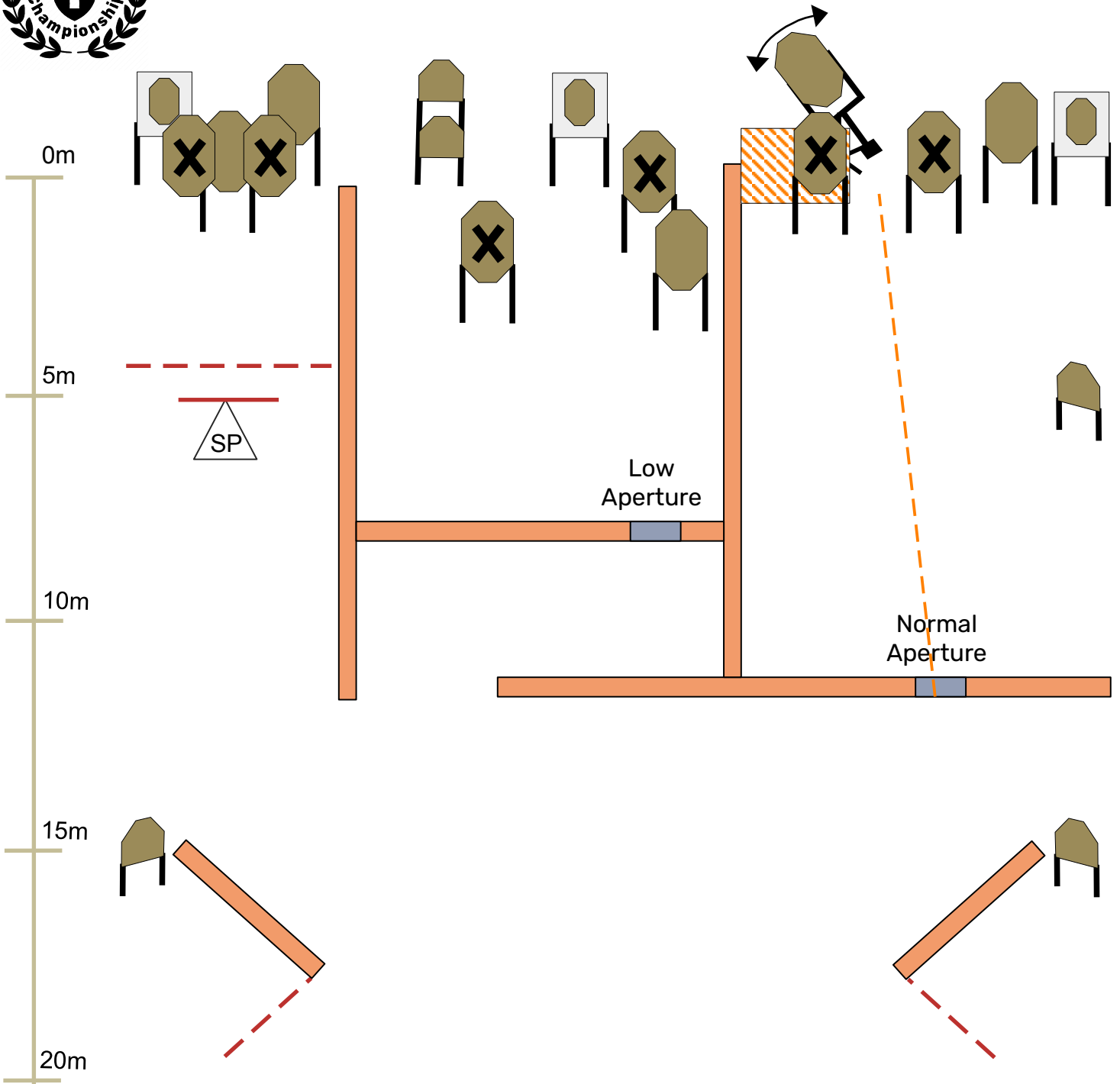


Swiss Championship  
October 6, 2024

<b>Title</b>	<b>Get Moving!</b>	<b>Author</b>	Silvio
<b>Type</b>	Open	<b>Strings</b>	1
<b>Targets</b>	10 Paper, 3 50% Paper, 6 Non-Shoot		
<b>Rounds</b>	Min 26	<b>Scoring</b>	Unlimited, Best 2
<b>Start Pos</b>	Standing at SP, toes touching.		
<b>Start Cond</b>	Handgun fully loaded, holstered.		
<b>Procedure</b>	Engage all targets. String activates swinger.		
<b>Safety</b>	Forward fault lines for some targets.		



Bay 3



# Stage 5

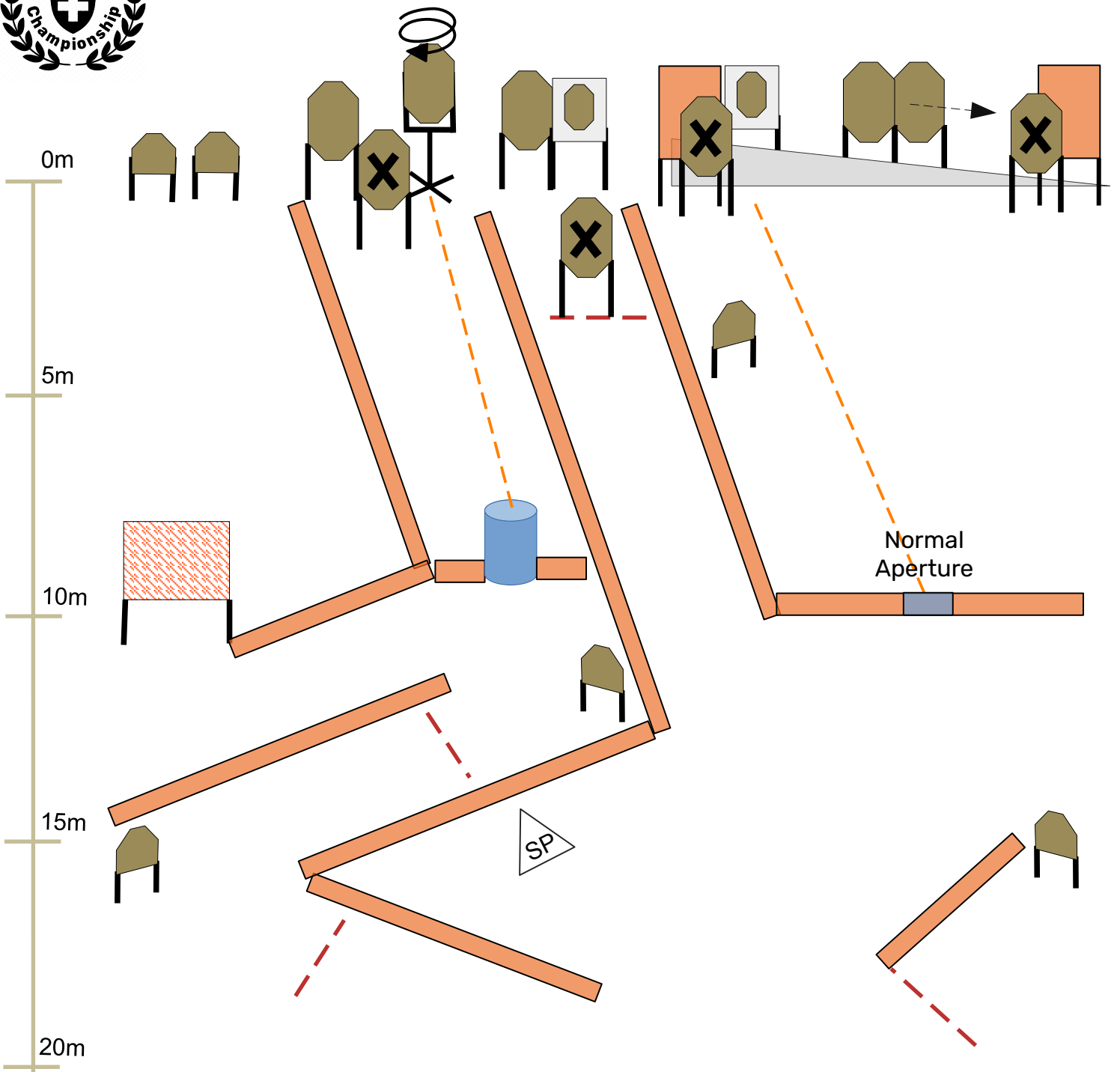


Swiss Championship  
October 6, 2024

<b>Title</b>	<b>Stay Focused!</b>	<b>Author</b>	Andy
<b>Type</b>	Open	<b>Strings</b>	1
<b>Targets</b>	11 Paper, 2 50% Paper, 4 Non-Shoot		
<b>Rounds</b>	Min 26	<b>Scoring</b>	Unlimited, Best 2
<b>Start Pos</b>	Standing at SP hands and feet touching.		
<b>Start Cond</b>	Handgun fully loaded, holstered.		
<b>Procedure</b>	Engage all targets. Strings activate mover and truner.		
<b>Safety</b>	Forward fault lines for some targets.		



## Bay 4



# Stage 6

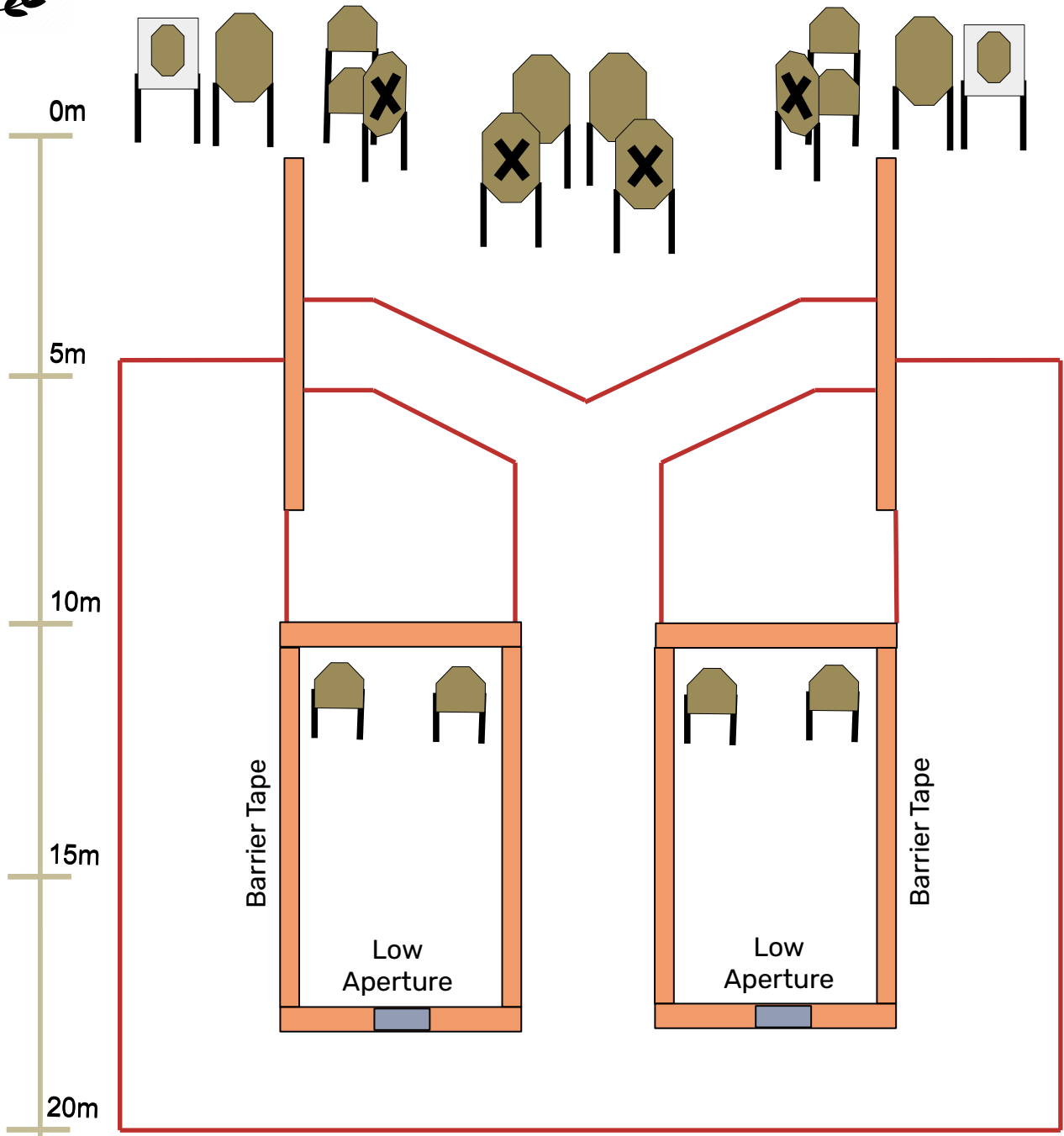


Swiss Championship  
October 6, 2024

<b>Title</b>	<b>Close or Far?</b>	<b>Author</b>	Andy
<b>Type</b>	Single Zone	<b>Strings</b>	1
<b>Targets</b>	12 Paper, 2 50% Paper, 4 Non-Shoot		
<b>Rounds</b>	Min 28	<b>Scoring</b>	Unlimited, Best 2
<b>Start Pos</b>	Standing anywhere.		
<b>Start Cond</b>	Handgun fully loaded, holstered.		
<b>Procedure</b>	Engage all targets while remaining in the zone.		



Bay 1



# Stage 7

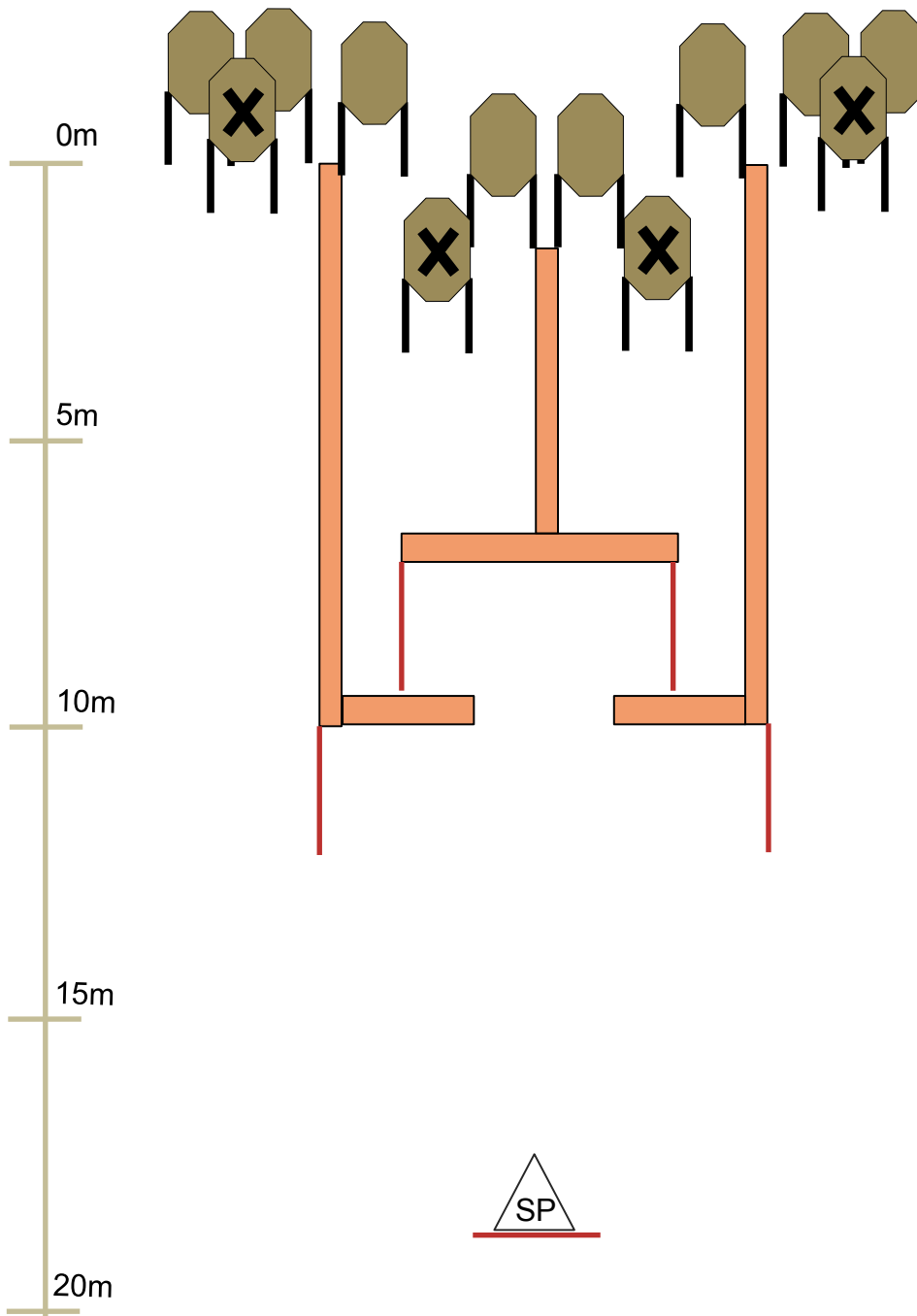


Swiss Championship  
October 6, 2024

<b>Title</b>	Is Your Hand Strong or Weak?	<b>Author</b>	Raphi
<b>Type</b>	Multi Zone	<b>Strings</b>	1
<b>Targets</b>	8 Paper, 4 Non-Shoot		
<b>Rounds</b>	Min 16	<b>Scoring</b>	Unlimited, Best 2
<b>Start Pos</b>	Standing at SP, heels touching.		
<b>Start Cond</b>	Handgun empty chamber, holstered. All magazines contain 8 rounds.		
<b>Procedure</b>	Engage all targets from available zones. Right edge of barricade=right handed, left edge of barricade=left handed.		



Bay 2/Left





# Stage 8

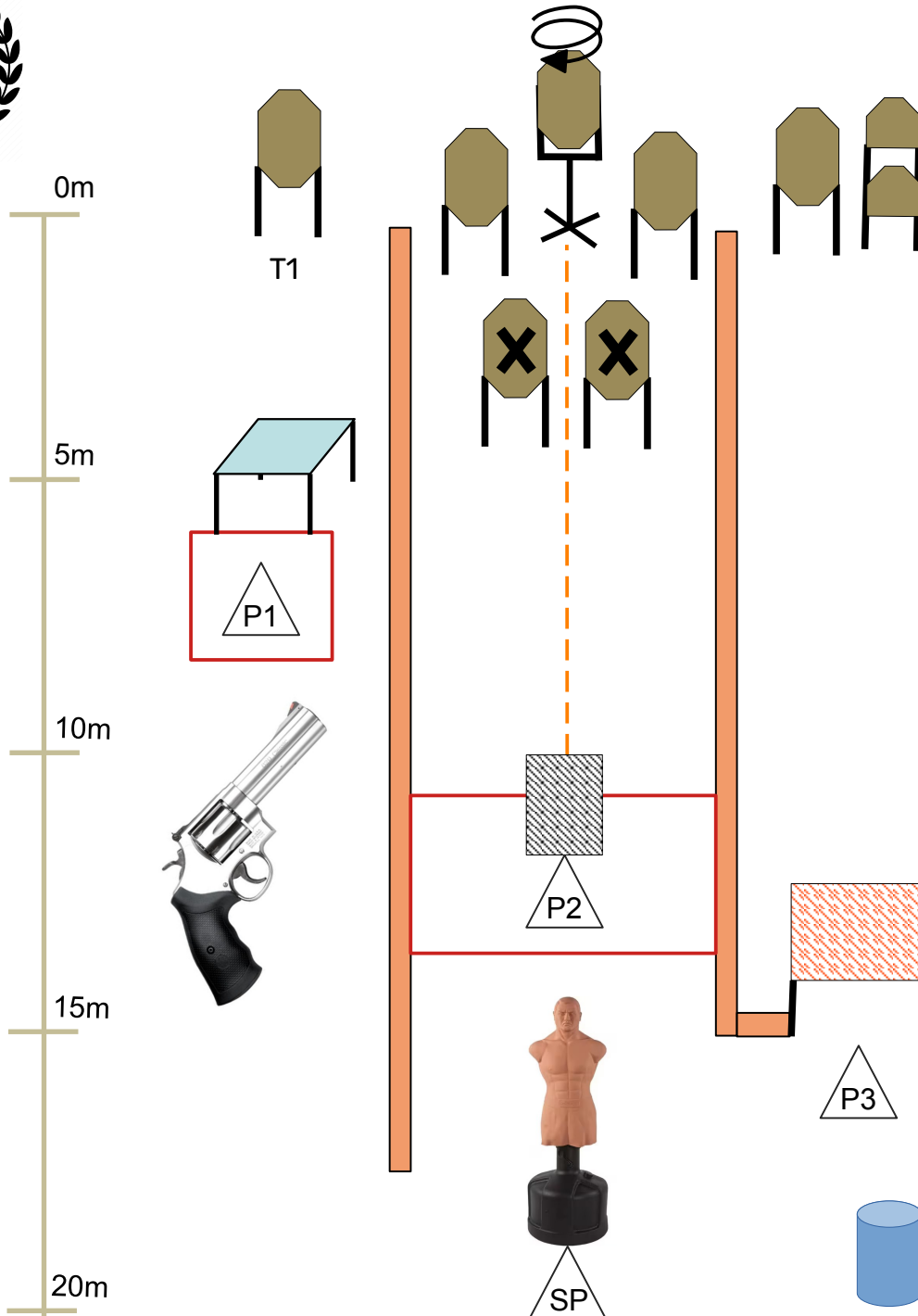


Swiss Championship  
October 6, 2024

<b>Title</b>	<b>It does Kick, Right?</b>	<b>Author</b>	Andy
<b>Type</b>	Multi Zone	<b>Strings</b>	1
<b>Targets</b>	7 Paper, 2 Non-Shoot		
<b>Rounds</b>	Min 20	<b>Scoring</b>	Unlimited, T1 Best 2, Rest Best 3
<b>Start Pos</b>	Standing at SP.		
<b>Start Cond</b>	Handgun unloaded, slide forward and all magazines on barrel. Pick Up gun uncocked, loaded with exactly 2 rounds on table.		
<b>Procedure</b>	Give the dummy a left/right combination, then go to P1 and engage T1 with 2 rounds using pick up gun. Deposit pick up gun on table. Then retrieve your pistol and engage all targets from available zones. Bear trap activates turner, P3 is prone.		
<b>Safety</b>	S0 loads and unloads pick up gun.		



## Bay 2/Right



# Stage 9

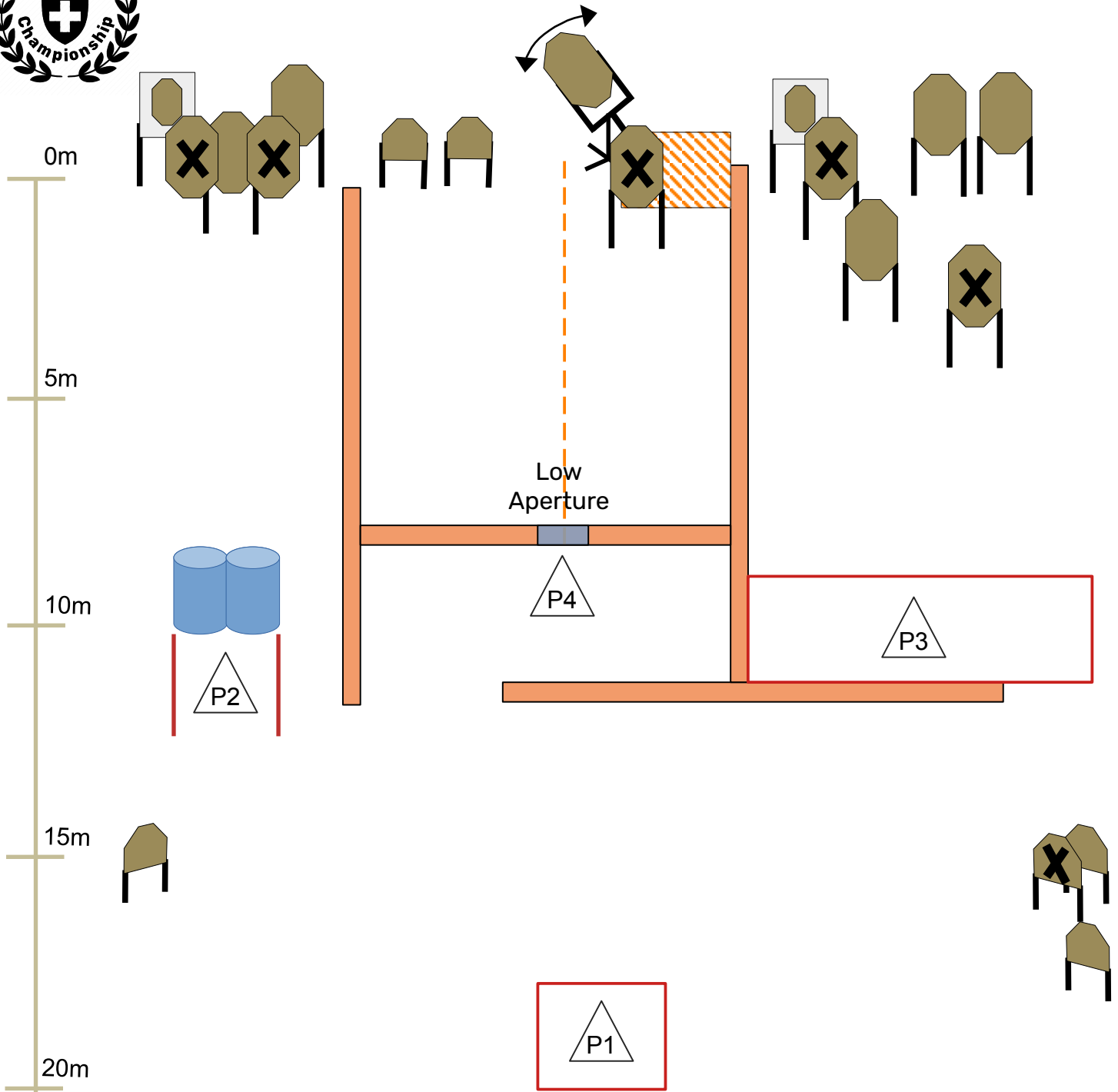


Swiss Championship  
October 6, 2024

<b>Title</b>	<b>Easy or Not?</b>	<b>Author</b>	Silvio
<b>Type</b>	Multi Zone	<b>Strings</b>	1
<b>Targets</b>	11 Paper, 2 50% Paper, 6 Non-Shoot		
<b>Rounds</b>	Min 26	<b>Scoring</b>	Unlimited, Best 2
<b>Start Pos</b>	Standing in any zone.		
<b>Start Cond</b>	Handgun fully loaded, holstered.		
<b>Procedure</b>	Engage all targets from available zones. String activates swinger. P2 is kneeling. P4 is through the aperture.		
<b>Safety</b>	Exclusion zone at low aperture..		



Bay 3



# Stage 10



Swiss Championship  
October 6, 2024

<b>Title</b>	<b>A Little Spicy...OK?</b>	<b>Author</b>	Andy
<b>Type</b>	Multi Zone	<b>Strings</b>	1
<b>Targets</b>	11 Paper, 2 50% Paper, 5 Non-Shoot		
<b>Rounds</b>	Min 26	<b>Scoring</b>	Unlimited, Best 2
<b>Start Pos</b>	Standing in any zone P1-4.		
<b>Start Cond</b>	Handgun fully loaded, holstered.		
<b>Procedure</b>	Engage all targets from available zones. Strings activate mover and turner. P4 is through the aperture.		
<b>Safety</b>	Maintain muzzle and finger discipline when passing low passage.		



Bay 4

